



2501 Northchase Pkwy SE
Wilmington, NC 28405

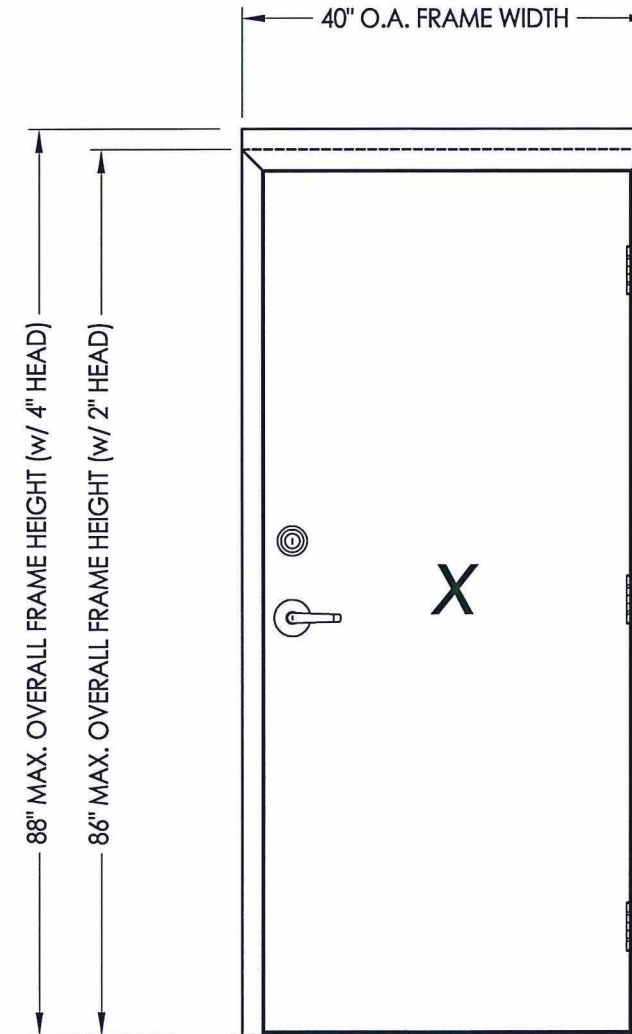
"HH6-PCD" STEEL DOOR

OUTSWING

"IMPACT"

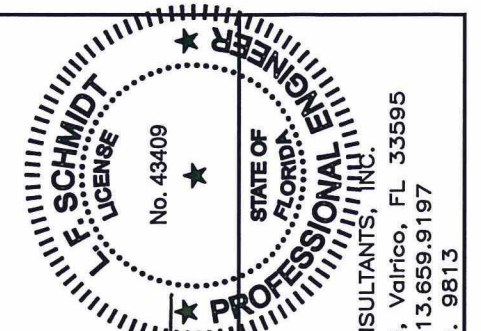
GENERAL NOTES

1. This product has been evaluated and is in compliance with the 5th Edition (2014) Florida Building Code (FBC) structural requirements including the "High Velocity Hurricane Zone" (HVHZ).
2. Product anchors shall be as listed and spaced as shown on details. Anchor embedment to base material shall be beyond wall dressing or stucco.
3. When used in the "HVHZ" this product complies with Section 1626 of the Florida Building Code and does not require an impact resistant covering.
4. When used in areas outside of the "HVHZ" requiring wind borne debris protection this product complies with Section 1609.1.2 of the FBC and does not require an impact resistant covering. This product meets missile level "D" and includes Wind Zone 4 as defined in ASTM E1996 and Section 1609.1.2.2 of the FBC.
5. Site conditions that deviate from the details of this drawing require further engineering analysis by a licensed engineer or registered architect.
6. This product does not meet the water infiltration requirements for the "HVHZ" and shall be installed only in non-habitable areas or at habitable locations protected by an overhang or canopy such that the angle between the edge of canopy or overhang to sill is less than 45 degrees.
7. All steel shall be protected as specified in Section 2222.6 of the FBC.



MAX. OVERALL DIMENSION	DESIGN PRESSURE (PSF)	
	POSITIVE	NEGATIVE
40.0" X 88.0"	+70.0	-70.0

TABLE OF CONTENTS	
SHEET#	DESCRIPTION
1	Typical elevations, design pressures, & general notes
2	Door panel details
3	Horizontal and vertical cross sections
4	Horizontal and vertical cross sections
5	Anchoring details
6	Components
7	Bill of materials and components



Documents Prepared By:
Lyndon F. Schmidt
P.E. No. 43409

RW BUILDING CONSULTANTS, INC.
P.O. Box 230, Vairico, FL 33595
Phone No.: 813.659.9197
FBPE C.A. No. 9813

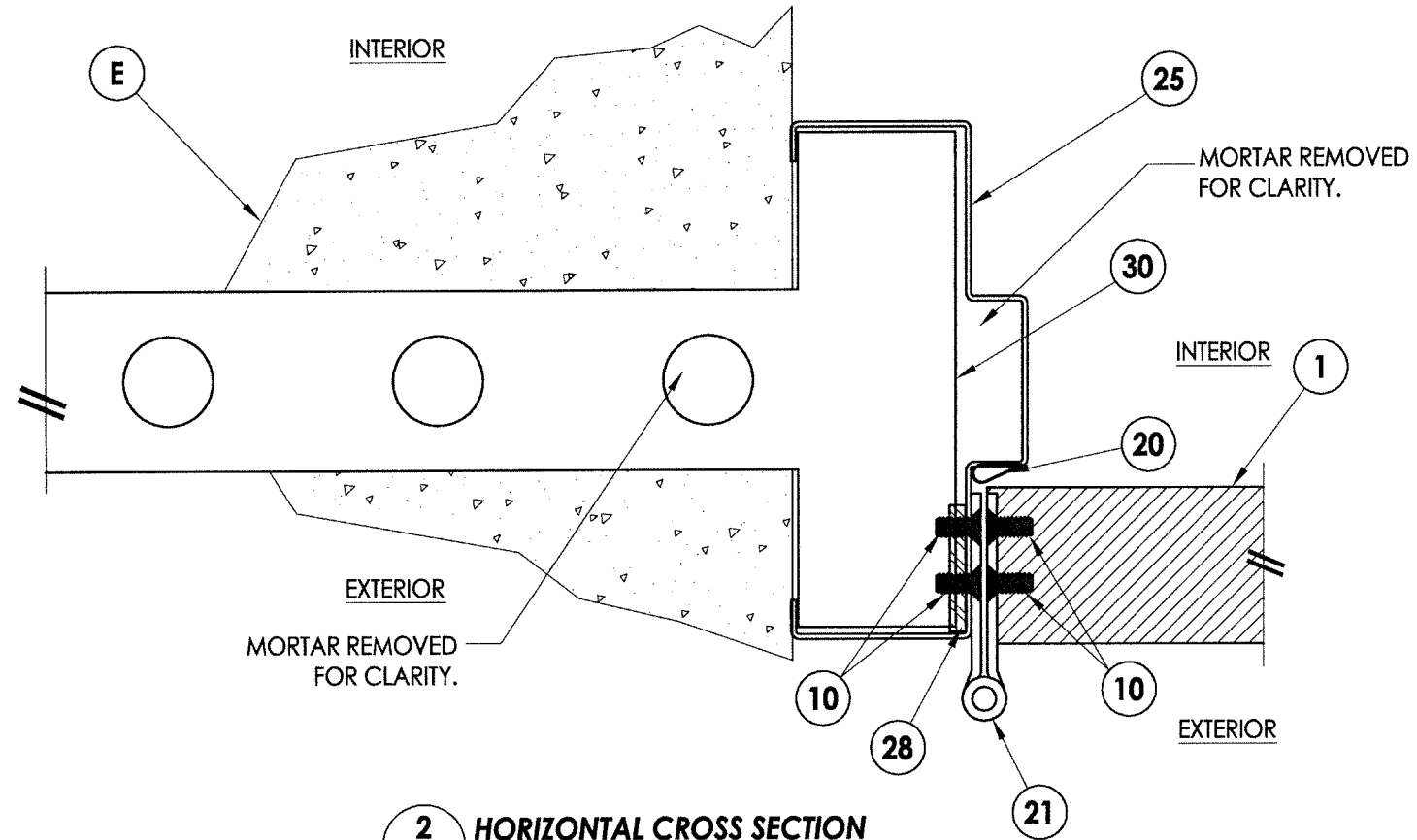
PRODUCT: HMF EXPRESS

PART OR ASSEMBLY: TYPICAL ELEVATIONS, DESIGN PRESSURES & GENERAL NOTES

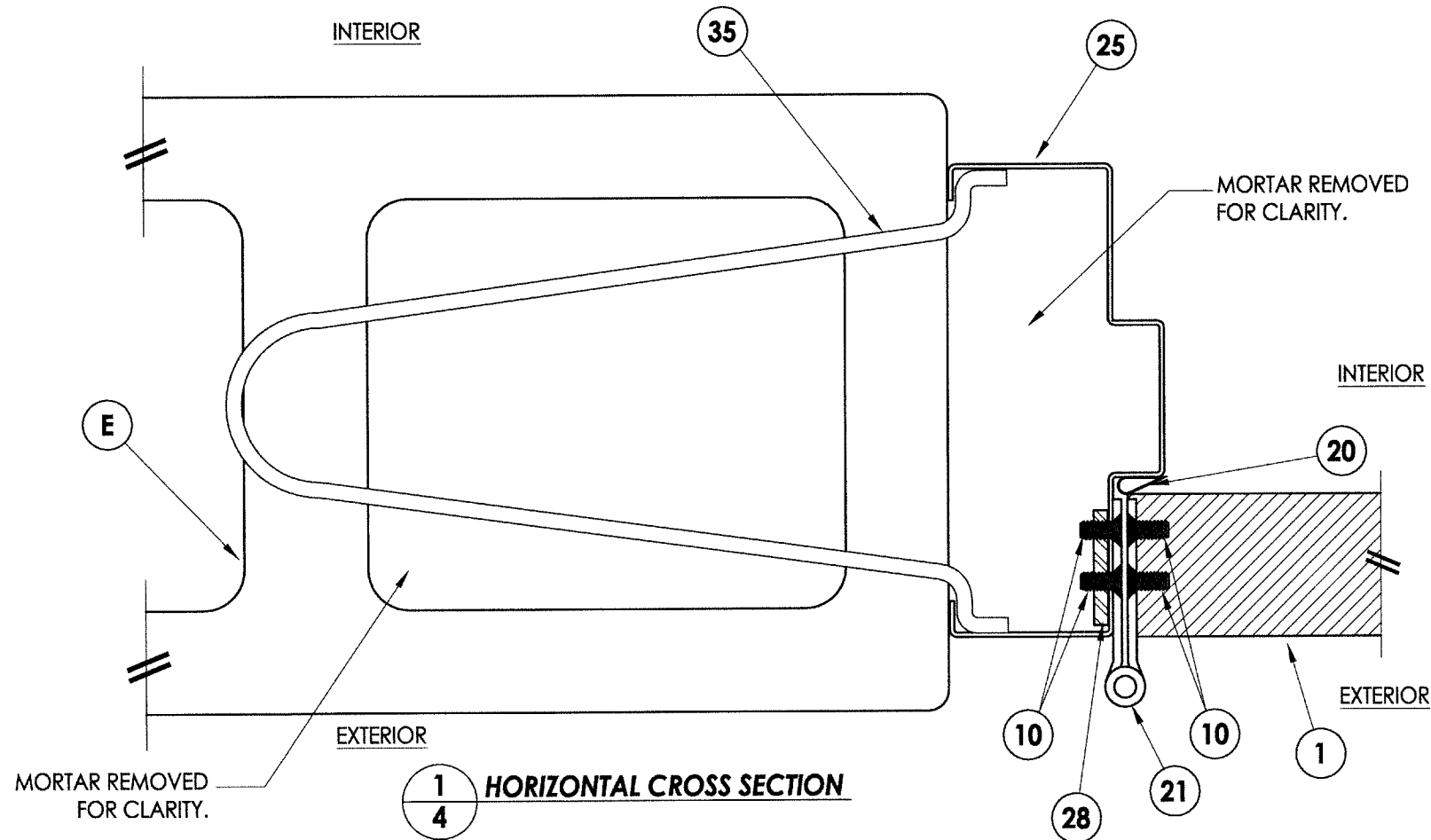
NO.	DATE	BY	REVISIONS

DATE: 8/31/15
SCALE: N.T.S.
DWG. BY: JK
CHK. BY: LFS
DRAWING NO.: FL-18506.1
SHEET 1 OF 7

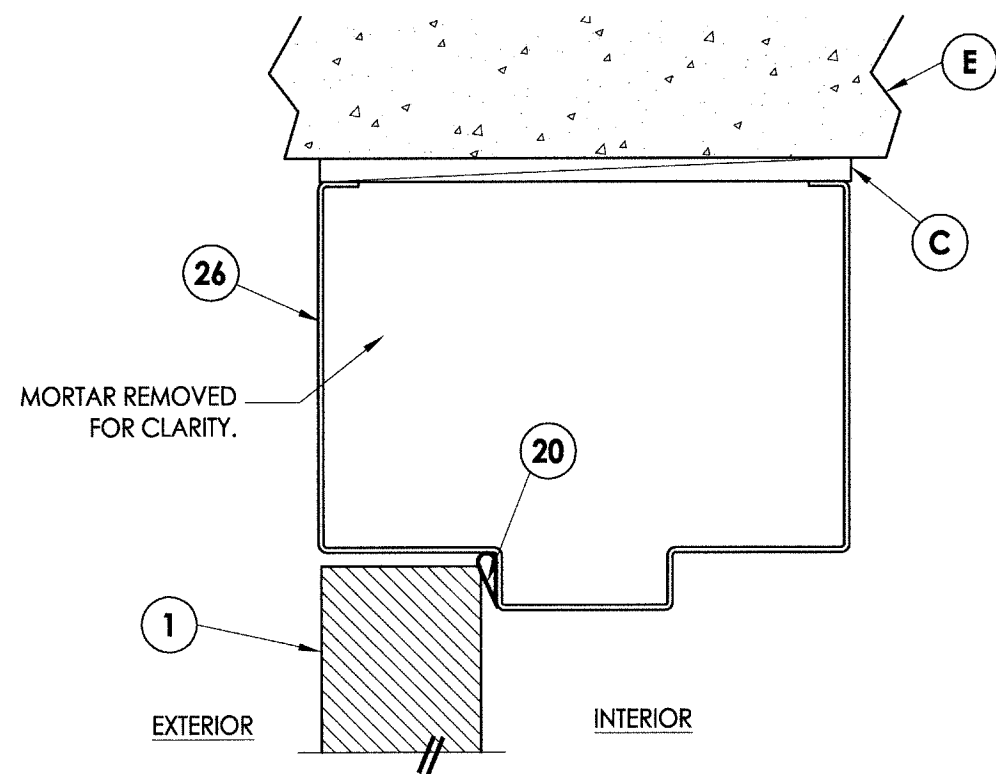
R:\Clients\HMF Express PERMANENT\FL - C - Drawings\FL XXXX (2014)\FL-18506.1-4.dwg, 4.1



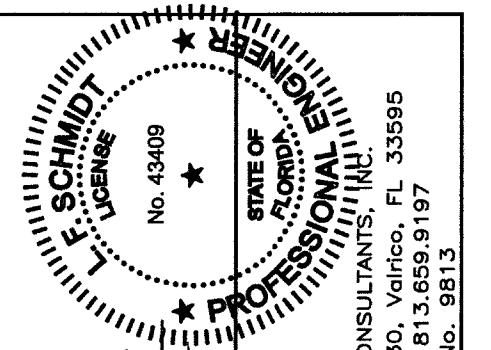
2 HORIZONTAL CROSS SECTION
4



1 HORIZONTAL CROSS SECTION
4



3 VERTICAL CROSS SECTION
4 Shown w/ 4" Head



Documents Prepared By:
Lyndon F. Schmidt
P.E. No. 43409
RW
BUILDING CONSULTANTS, INC.
P.O. Box 230, Valrico, FL 33595
Phone No.: 813.659.9197
FBPE C.A. No. 9813

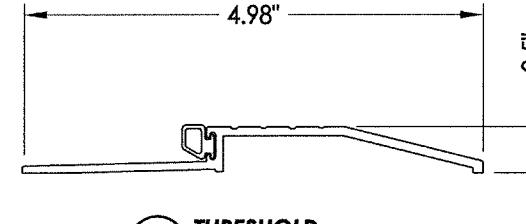
PRODUCT:	HMF EXPRESS
PART OR ASSEMBLY:	HORIZONTAL & VERTICAL CROSS SECTIONS

NO.	DATE	BY	REVISIONS

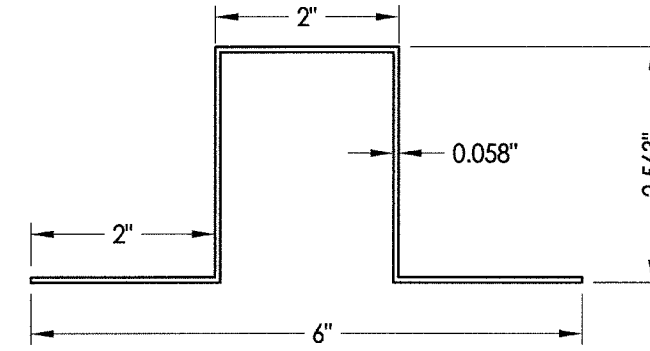
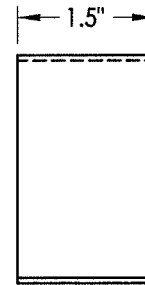
DATE:	8/31/15
SCALE:	N.T.S.
DWG. BY:	JK
CHK. BY:	LFS
DRAWING NO.:	FL-18506.1
SHEET	4 of 7

R:\Clients\HMF Express PERMANENT\FL - C - Drawings\FL XXXX (2014)\FL-18506.1-4.dwg, 7.1

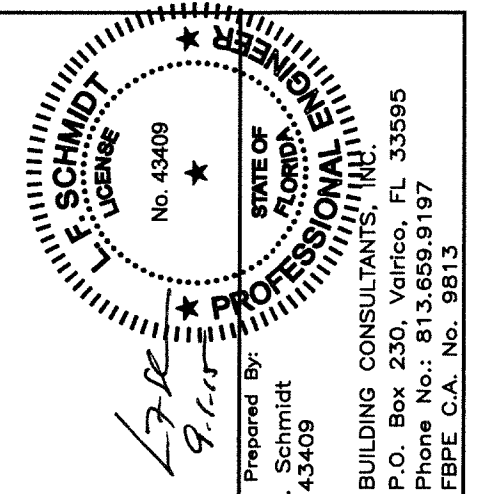
BILL OF MATERIALS		
ITEM #	DESCRIPTION	MATERIAL
C	1/4" MAX. SHIM SPACE	-
D	1/4" X 2-3/4" ELCO OR ITW CONCRETE SCREW	STEEL
E	MASONRY - 3,000 PSI MIN. CONCRETE CONFORMING TO ACI 301 OR HOLLOW BLOCK (GROUT FILLED) CONFORMING TO ASTM C90	CONCRETE
H	1/4" X 1-3/4" PFH CONCRETE SCREW (SEE CONCRETE ANCHOR TABLE)	STEEL
J	3/8" X 5" PFH DYNABOLT SLEEVE ANCHOR (SEE CONCRETE ANCHOR TABLE)	STEEL
M	3/8" X 5" LDT TAPCON CONCRETE SCREW (SEE CONCRETE ANCHOR TABLE)	STEEL
1	STEEL DOOR PANEL	-
8	DUST BOX	STEEL
9	ANCHOR BRACKET	STEEL
10	#12-24 X 1/2" PFH MACHINE SCREW	STEEL
11	#8 x 3/4" COMBINATION WOOD/MACHINE SCREW	STEEL
16	ANSI LATCH STRIKE	STEEL
17	DEADBOLT STRIKE	STEEL
19	DEADBOLT STRIKE REINFORCEMENT	STEEL
20	WEATHERSTRIP (PEMKO 303A)	NEOPRENE
21	4-1/2" X 4-1/2" X 0.125" HINGE	STEEL
22	DOOR HINGE REINFORCEMENT	STEEL
25	HOLLOW FRAME (2" JAMB) - 16GA (0.055" THK)	STEEL
26	HOLLOW FRAME (4" OR 2" HEAD) - 16GA (0.055" THK)	STEEL
28	FRAME HINGE REINFORCEMENT	STEEL
30	MASONRY 'T' ANCHOR	STEEL
35	WIRE ANCHOR	STEEL
40	THRESHOLD (PEMKO 2001_T)	ALUMINUM



40 THRESHOLD



9 ANCHOR BRACKET



Documents Prepared By:
Lyndon F. Schmidt
P.E. No. 43409

R.W. BUILDING CONSULTANTS, INC.
P.O. Box 230, Valrico, FL 33595
Phone No.: 813.659.9197
FBPE C.A. No. 9813

PRODUCT:	HMF EXPRESS		
PART OR ASSEMBLY:	BILL OF MATERIALS & COMPONENTS		
NO.	DATE	BY	REVISIONS

DATE: 8/31/15
SCALE: N.T.S.
DWG. BY: JK
CHK. BY: LFS
DRAWING NO.: FL-18506.1
SHEET 7 OF 7